



TOWN & TRAVEL SERIES RANGER

SKU: TFT18KLD (BLACK)
MSRP: \$399.99

**DIGITAL
ARC CONTROLLER**

**ADVANCED
GRILLING LOGIC[®]**

**MEAT PROBE
KEEP WARM MODE**

**COOK TIMER
LID LATCHES**

**184 SQ. IN.
GRILLING AREA**

6 6 1
CHICKEN BURGERS RACK
BREASTS OF RIBS

8 LB. HOPPER CAPACITY
**CAST IRON GRIDDLE
INCLUDED**





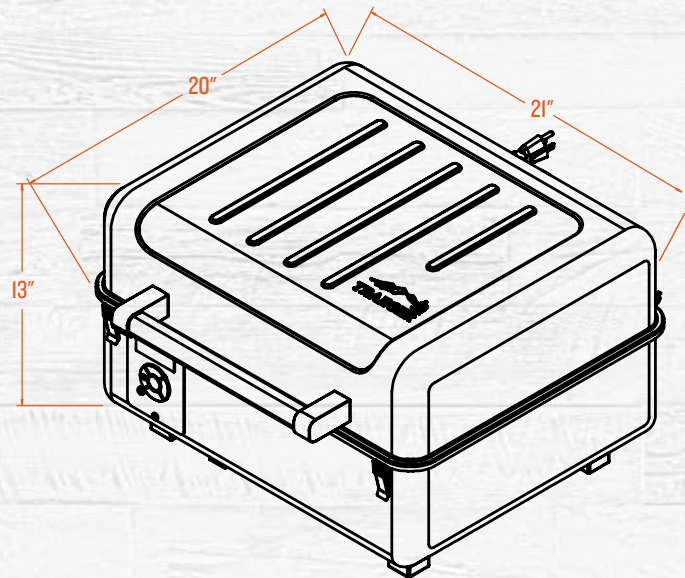
RANGER

SKU: TFT18KLD (BLACK) | MSRP: \$399.99

Pack your wood-fired flavor wherever adventure takes you. Cook a feast fit for the wilderness right on your truck bed while you spend the day at your favorite fishing hole, or bring it along for a weekend away. Featuring Traeger's Digital Arc controller with an added Keep Warm Mode, the Ranger will make sure your food is ready to eat whenever you are. Next time adventure calls, answer it with the Traeger Ranger.

FEATURES:

- Digital Arc Controller allows you to set the temperature in 5-degree increments
- Keep Warm Mode ensures food is "hot-off-the-grill" no matter when you eat
- Advanced Grilling Logic® for precise temperature performance
- Meat Probe to check temps without lifting the lid
- Cook timer lets you know when it's time to sauce or check on food
- Baffled lid with latches for durability and safe transport
- Easy-to-clean porcelain-coated grill grates
- 184 sq. in. grilling area is big enough to accommodate 6 Chicken Breasts, 6 Burgers, or 1 Rack of Ribs
- Cast iron griddle included to get that perfect sear on your steak, or cook an egg breakfast
- 8 lb. hopper can handle plenty of cook time



SPECS:

- 184 sq. in. grilling area
- Hopper capacity: 8 lbs.
- Assembled Dims: 21 W x 20 D x 13 H (inches)
- Assembled Weight: 60 lbs.
- Packaged Dims: 22.5 W x 19 D x 15 H (inches)
- Packaged Weight: 70 lbs.
- Available in Black •

8 LB. | **184 SQ. IN.**
HOPPER CAPACITY | GRILLING AREA

RECOMMENDED ACCESSORIES



GRILL COVER - SCOUT/RANGER
SKU: BAC457
Side zip pocket for easy storage of portable BBQ Multi-Tool Kit



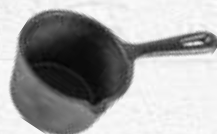
ALUMINUM DRIP TRAY LINER 5 PACK - SCOUT/RANGER
SKU: BAC458
Ditch the mess and clean-up quick on the go



ALUMINUM MINI GREASE BUCKET LINER - 5 PACK
SKU: BAC459
Simplify your clean-up routine



BBQ MULTI-TOOL KIT
SKU: BAC461
Features BBQ Spatula, Pig Tail, Basting Brush, Wine Opener Tool - all in compact size



CAST IRON SAUCE PAN - 1 QUART
SKU: BAC452
Fire up flavorful meals in in this perfectly portable size



POWER INVERTER
SKU: BAC287
This 400-watt mobile unit lets you take your Traeger wherever you go